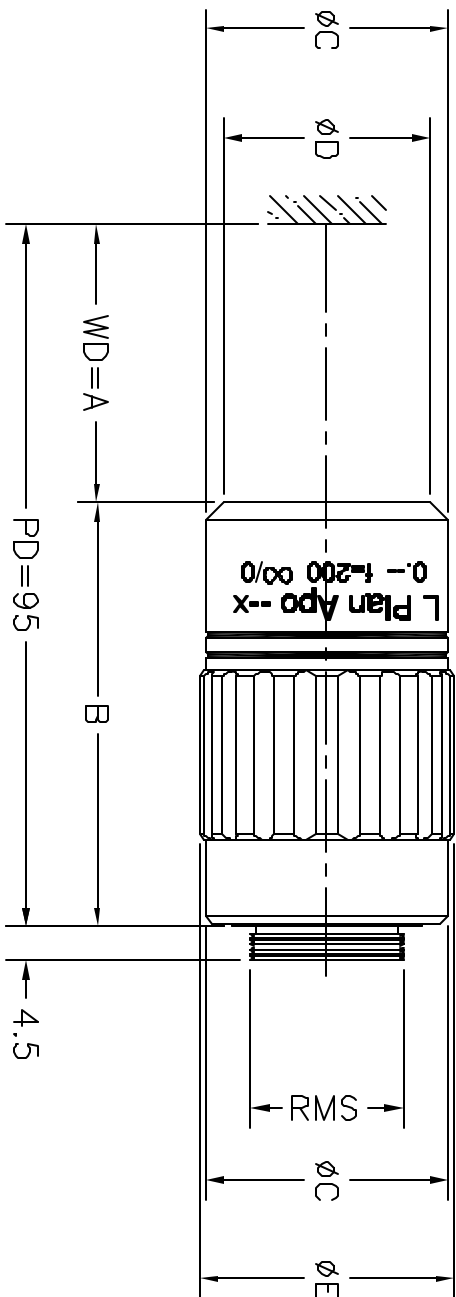


METALLURGICAL PLAN ACHROMAT OBJECTIVE

- * LONG WORKING DISTANCE
- * INFINITY TUBE LENGTH TYPE (FOR USE f=200mm LENS)
- * PARFOCAL DISTANCE: 9.5 mm
- * STANDARD RMS THREAD



SPECIFICATIONS FOR L PLAN APO OBJECTIVES

PART NO.	POWER	NUMERICAL APERTURE (N.A)	FOCAL LENGTH (mm)	WORKING DISTANCE-A (mm)	BODY LENGTH=B (mm)	OUTSIDE DIAMETER=C (mm)	GLASS DIAMETER=D (mm)	KNURLED O. D. = E (mm)
146-2500	2.5 X	0.06	86.0	32.3	62.7	28.0	23.0	29.2
146-0500	5 X	0.16	40.0	36.1	58.9	32.2	27.5	34.0
146-1000	10 X	0.23	20.0	36.9	56.1	32.2	27.5	34.0
146-2000	20 X	0.35	10.0	22.5	72.5	32.2	27.5	34.0
146-5000	50 X	0.40	4.0	18.3	76.7	32.2	27.5	34.0
146-9900	100 X	0.52	2.0	14.1	80.9	32.2	27.5	34.0

TLO-F200

